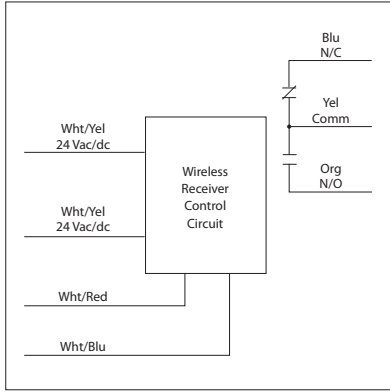


RIBW24B-EN2

Enclosed EnOcean® Enabled Wireless Relay Transceiver / Repeater 20 Amp SPDT, 24 Vac/dc Power, with Dry Contact Input



Wireless Control Relay with Two-Way Communication



Relay has built-in repeater function. Relay receives signal from wireless switch transmitter and rebroadcasts the signal to the next relay receiver.

Specifications

- # Relays & Contact Type:** One (1) SPDT Continuous Duty Coil
- Expected Relay Life:** 10 million cycles minimum mechanical
- Operating Temperature:** -30 to 140° F
- Humidity Range:** 5 to 95% (noncondensing)
- Red LED:** Relay Status / Learn Mode Status (Flashing)
- Dimensions:** 2.30" x 3.20" x 1.80" with .50" NPT Nipple
- Wires:** 16", 600V Rated
- Approvals:** RoHS
- Housing Rating:** UL Accepted for Use in Plenum, NEMA 1
- Gold Flash:** No
- Override Switch:** No
- Frequency:** 315 MHz
- Receiver Sensitivity:** -93 dBm typical
- Conducted Power:** 5 mW typical
- Built-in Switch Modes:** Rocker, Momentary, and Toggle

Contact Ratings:
20 Amp Resistive @ 30 Vac/dc

Power Input Ratings:
139 mA @ 24 Vac
69 mA @ 24 Vdc

- Notes:**
- Compatible with EnOcean® 315 MHz Switches/Transmitters.
 - Typical range: 50-150 ft.
 - Open area transmission could be farther. Consult factory for more information.
 - Repeater function only rebroadcasts original EnOcean® transmission. Up to two repeaters can be used.
 - For setup instructions, see website for -EN2 Series Application Manual: www.functionaldevices.com/pdf/manuals/B1594A.pdf or scan QR code with your smart phone.



Application for Wireless Control & Feedback in a Building Automation System

